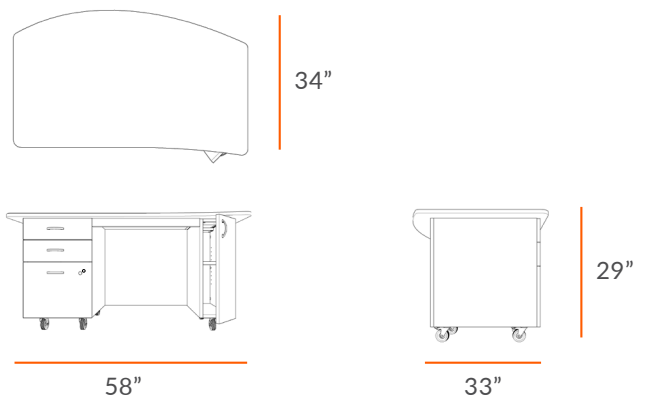


Description

Our wide range of are designed with flexibility in mind to meet the needs of busy educators. Offered in different shapes and heights with a variety of storage features to suit the individual needs of educators or the subjects taught.

The Guide Educator Desk features heavy duty locking castors for easy relocation. Two small drawers and one large locking filing drawer provide storage for materials and personal items.



Product features

- Heavy duty lockable castors
- Extra large desk top
- Extra deep with lots of storage
- 1 lockable filing drawer

Materials

- Europly FSC Certified hardwood plywood (FSC R 012337)
- MPX® FSC Certified hardwood plywood (FSC R 012337)

GUIDE EDUCATOR

LENGTH	58"
DEPTH	34"
HEIGHT	29"

Dimensions indicated are approximate. Please contact us if you require clarification.

